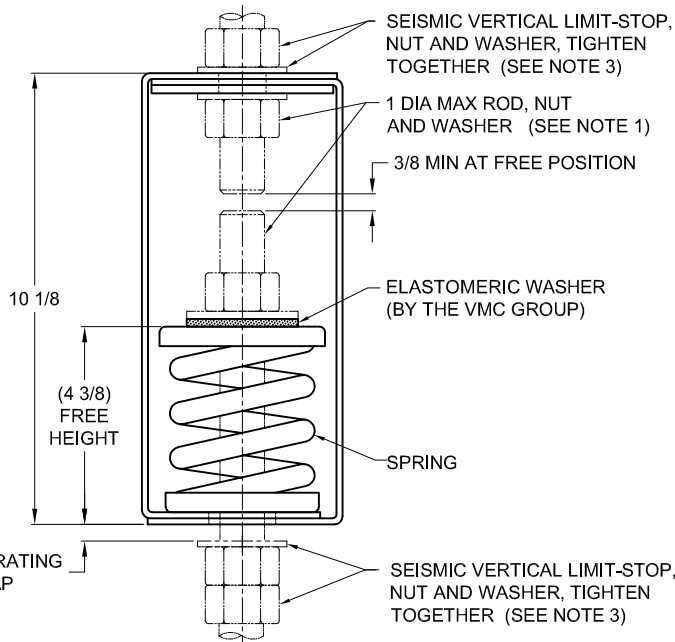
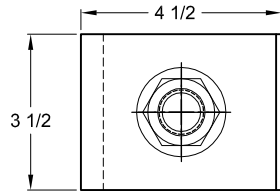


| REV. | DESCRIPTION | DATE | BY |
|------|-------------|------|----|
| | | | |

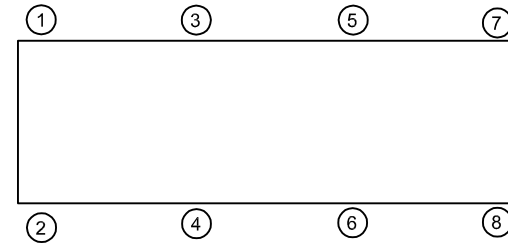


TYPE HS-1E SPRING HANGERS FOR 1" NOMINAL DEFLECTION

| HANGER | RATED LOAD (LBS) | DEFLECTION (IN) | SPRING RATE (LB/IN) | SPRING COLOR CODE |
|--------------------------|------------------|-----------------|---------------------|-------------------|
| HS-1E-195 | 195 | 1.95 | 100 | DK BLUE |
| HS-1E-400 | 400 | 1.32 | 303 | BLACK |
| HS-1E-530N ¹ | 530 | 1.17 | 453 | BLACK/ DK BLUE |
| HS-1E-650 | 650 | 1.05 | 619 | RED |
| HS-1E-825N ¹ | 825 | 1.07 | 771 | RED/ DK BLUE |
| HS-1E-1000 | 1000 | 1.00 | 1000 | TAN |
| HS-1E-1200N ¹ | 1200 | 1.04 | 1154 | TAN/ DK BLUE |
| HS-1E-1400 | 1400 | 1.00 | 1400 | PINK |
| HS-1E-1700N ¹ | 1700 | 1.10 | 1545 | PINK/ DK BLUE |
| HS-1E-2000 | 2000 | 1.11 | 1802 | WHITE |
| HS-1E-2575N ¹ | 2575 | 1.11 | 2320 | WHITE/DK PURPLE |
| HS-1E-2990N ¹ | 2990 | 1.11 | 2694 | WHITE/DK GREEN |
| HS-1E-3250N ¹ | 3250 | 1.04 | 3125 | WHITE/GRAY |

NOTES:

1. TWO NESTED SPRINGS YIELD THIS LOAD. THE COLOR CODE IS FOR OUTER SPRING/ INNER SPRING.



ISOLATOR SELECTIONS

| | |
|----------------------|--------|
| LOC 1: | LOC 2: |
| LOC 3: | LOC 4: |
| LOC 5: | LOC 6: |
| LOC 7: | LOC 8: |
| CUSTOMER EQP'T. TAG: | |

NOTE: MATERIAL SHOWN IS FOR (1) SET.

OTHER MATERIALS, COMPOUNDS, OR FINISHES WITH EQUAL OR SUPERIOR PROPERTIES MAY BE SUBSTITUTED AS THEY BECOME AVAILABLE.

NOTES:

- HANGER RODS, NUTS AND WASHERS, AS SHOWN, NOT BY THE VMC GROUP.
- STANDARD FINISH: HANGER BOX - PAINTED, POWDER COATED OR GALVANIZED STEEL, SPRING - POWDER COAT.
- SEISMIC VERTICAL LIMIT-STOP REQUIRED FOR SEISMIC APPLICATIONS. NOT BY THE VMC GROUP. INSTALL WASHER .134 THK. MIN. X 2 O.D. MIN WITH REQUIRED INSIDE DIAMETER TO ACCOMMODATE ROD SIZE IN USE. THIS CAN BE ACCOMPLISHED BY USING A SINGLE WASHER OR BY STACKING NOT MORE THAN TWO WASHERS.
- ALL DIMENSIONS IN INCHES. INTERPRET PER ANSI Y14.
- ALL DIMENSIONS ARE FOR REFERENCE, DIMENSIONS SHOWN AS NOMINAL.
- ALL SPRINGS ARE DESIGNED WITH MINIMUM 50% OVER-TRAVEL.
- HANGER BOXES ARE AVAILABLE PRE-COMPRESSED UP TO THEIR DESIGNATED MAX. LOAD. PERCENTAGE OF PRE-COMPRESSION TO BE DETERMINED BY ENGINEERED APPLICATION OR AS REQUESTED BY CUSTOMER CONSULT FACTORY FOR POSSIBLE ADDITIONAL PARAMETERS AND OR LIMITATIONS.
- RATED DEFLECTIONS ARE WITHIN 25% OF NOMINAL. HIGHER DEFLECTIONS ARE ALLOWED IF THEY MEET SPECIFICATION S.

CERTIFIED FOR:

JOB NAME: _____
 CUSTOMER : _____
 CUSTOMER P.O.: _____
 SALES ORDER: _____

MODEL HS-1E 195-3250 LBS. SPRING HANGERS 1 INCH DEFLECTION



THE VMC GROUP
The Power of Together
 Bloomingdale, NJ 07403
 Houston, TX 77041

SCALE :
NONE
 SHEET:



DRAWING NO.: _____ REVISION